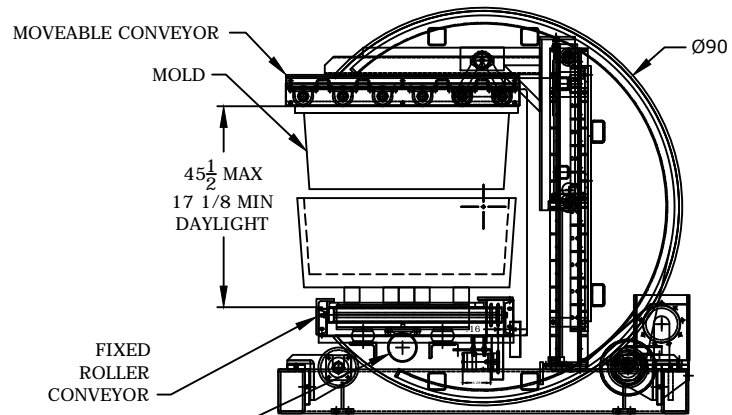
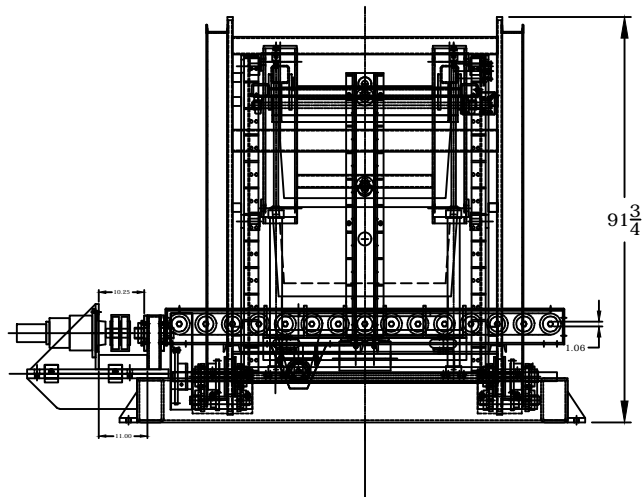


BOTH CONVEYORS SHOWN IN LOWER POSITION



CUSTOMER APPROVAL
 SIGNATURE: _____
 DATE: _____

CONFIDENTIAL		PALMER		18 BECHTLE AVENUE SPRINGFIELD, OHIO 45504 U.S.A.	
THIS DOCUMENT, INCLUDING ALL INFORMATION HEREIN, IS THE EXCLUSIVE AND CONFIDENTIAL PROPERTY OF PALMER MANUFACTURING. THEREFORE THIS DOCUMENT IS NOT TO BE COPIED, REPRODUCED, OR DELIVERED TO OTHERS WITHOUT THE EXPRESS WRITTEN PERMISSION OF PALMER.		MANUFACTURING & SUPPLY, INC.		(937) 323-6339 OR 1-800-457-5456	
SCALE: NONE	APPROVED BY: _____	DRAWN BY: JMB			
DATE: 6-11-09					
TITLE: PRD-2000 ROLLOVER DRAW					
PREVIOUS DWG. #:- N/A	DWG. #:- RD10081	REV: -		PG. #: 1	
NOTE: XENIA, REFURB					